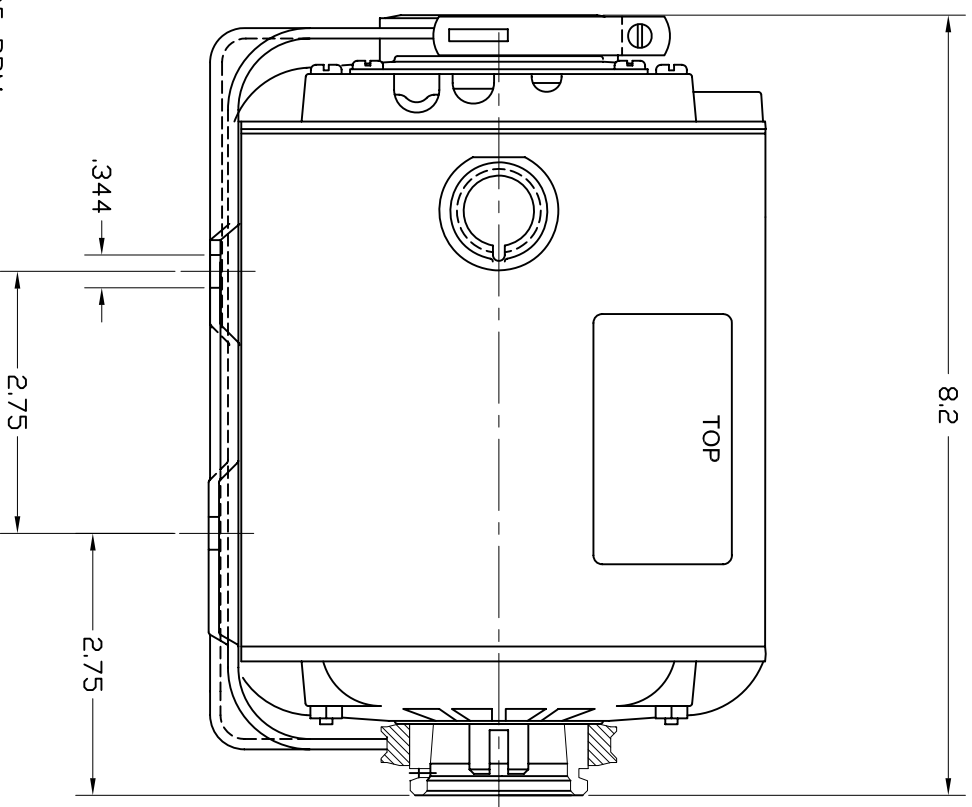
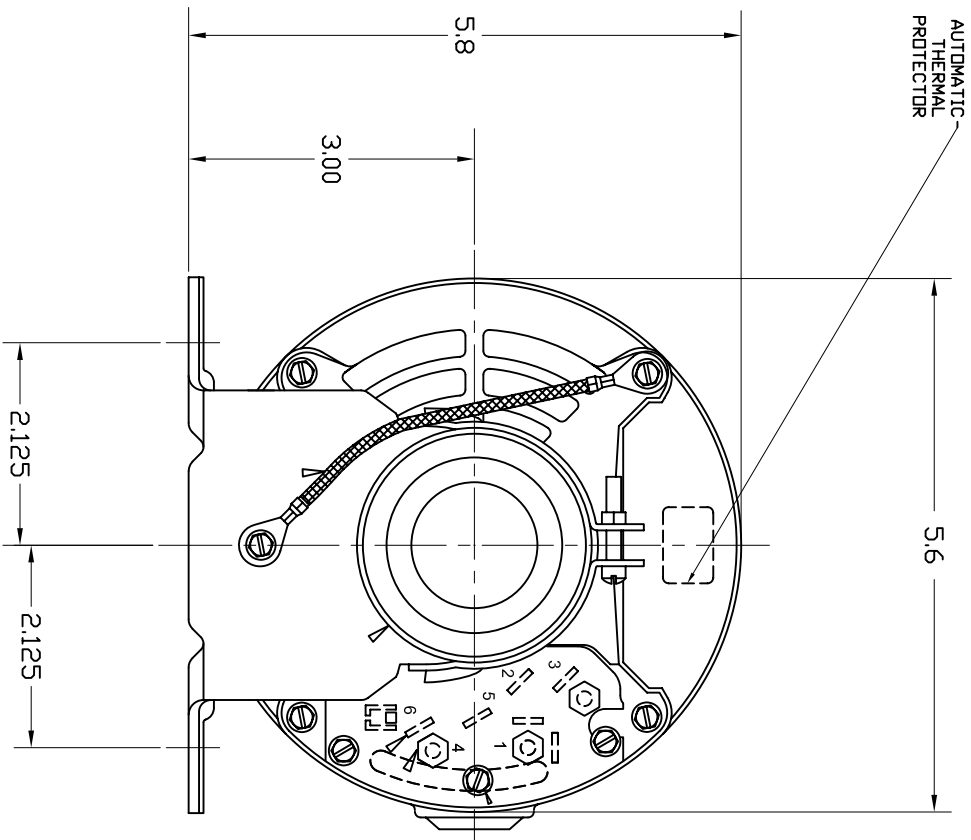


# 828 motor



**SPEED:** 1725 RPM  
**HORSEPOWER:** 1/3 HP  
**SERVICE FACTOR:** 1.0  
**TYPE:** SPLIT PHASE  
**CYCLE:** 60/50 HZ.  
**VOLTS:** 100-120/200-240  
**AMPS:** 6.5/3.0  
**FRAME:** 48Y  
**ENCLOSURE:** DRIPPROOF  
**OVERLOAD PROT.:** AUTO PROTECTED  
**INSULATION:** CLASS B

**869 Seven Oaks Blvd**  
**Suite 120**  
**Smyrna, TN 37167**  
**615-355-8000**  
**mail@proconpump.com**

**Disclaimer:**

Dimensions are subject to change without notice and will vary slightly depending on the motor vendor selected for your order

**PROCON**<sup>®</sup>  
 Products